

Series A Shaped Tanks

Identical to the Series A Rectangular tanks in material and wall thickness, these tanks are suitable for water, waste or diesel fuel. They will meet CE certification standards once fitted with the Tek-Tanks fittings.

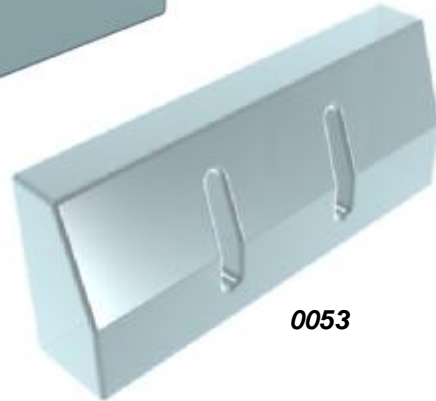
We have given you the basic information below but more comprehensive drawings are available on request. The drawings for these tanks can also be downloaded from our website. Please let us know what fittings you require and where and we will price up each tank individually.

Tank only prices can be found on our website.

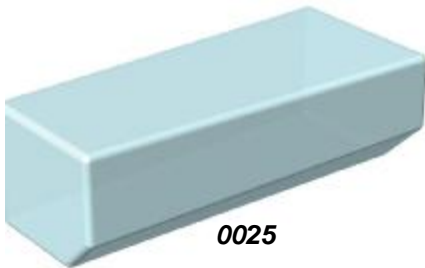
Part No.	L	W	H	Litres
0001	875	800	380	164
0004	900	460	530	192
0025	1120	515	370	167
0026	1224	408	337	146
0053	1700	350	700	291
0054	930	850	410	269
0080	810	810	390	243
0081	1680	620	275	232
39650	1267	755	745	455



0004



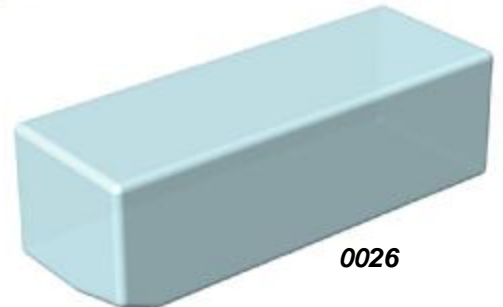
0053



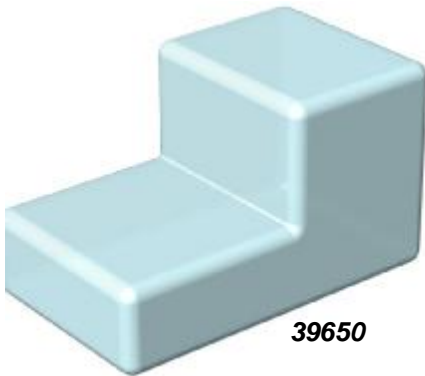
0025



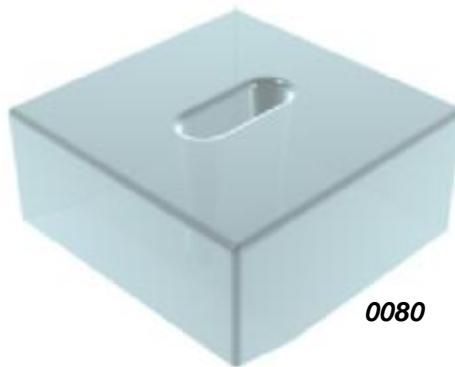
0054



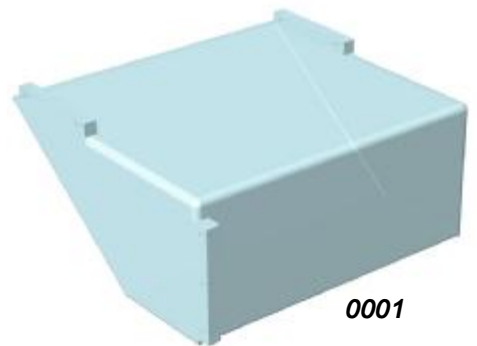
0026



39650



0080



0001

TEK TANKS

The Old Stables, West End Farm, Upper Froyle, Alton, Hampshire GU34 4JR. England
 Tel: +44 (0)1420 520830 fax: +44 (0)1420 520840 email: sales@tek-tanks.com
www.tek-tanks.com

TEK TANKS
 Water Waste and Fuel