

SENSOTEX

MOUNTING INSTRUCTION: MP-03(W),MP-04(W),MP-05(W)

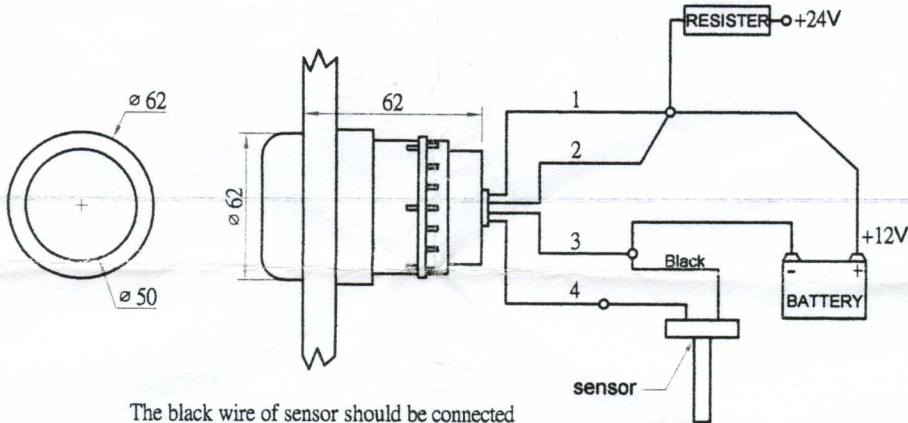
GAUGE MOUNTING 12V,24V

Cable color

a	ANTI-FOG
b	IP RATING: IP65

1	Red
2	Red / White
3	Black
4	Blue

If you must connect the power source +24V, please link to the RESISTER first



The black wire of sensor should be connected to the same black wire of gauge for negative connection, and the other wire of sensor should be connected to the blue wire of gauge.

connect to fuel sensor or water sensor

www.kupo-sensotex.com.tw