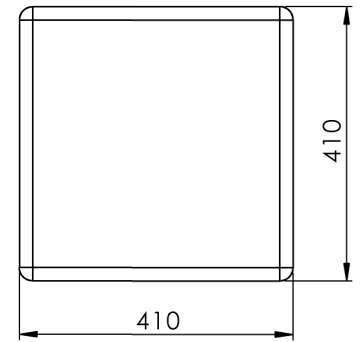
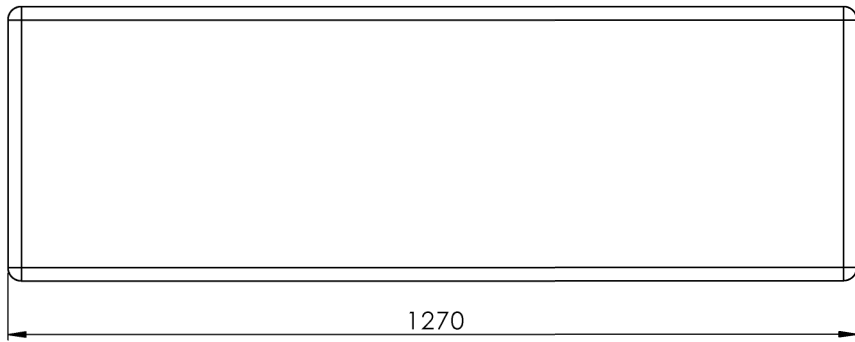
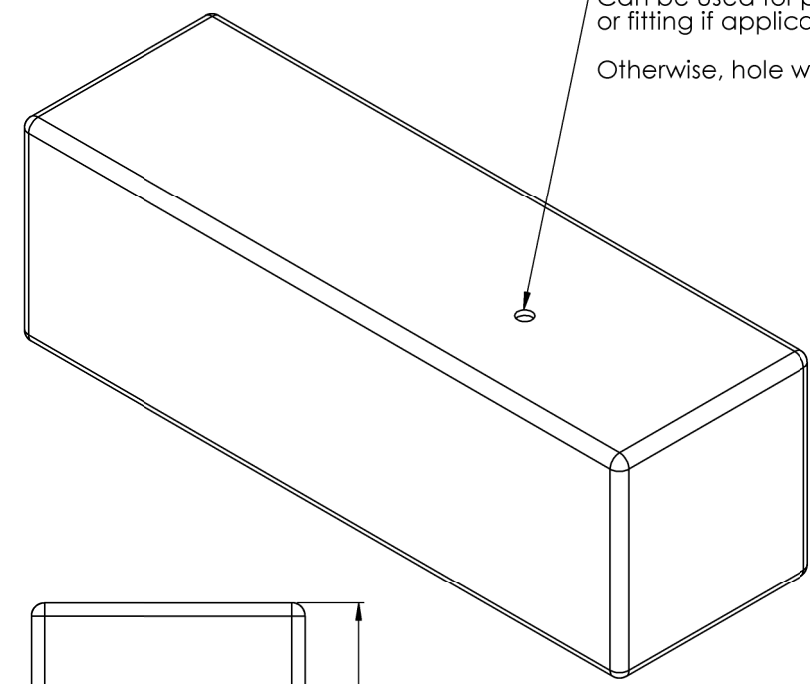
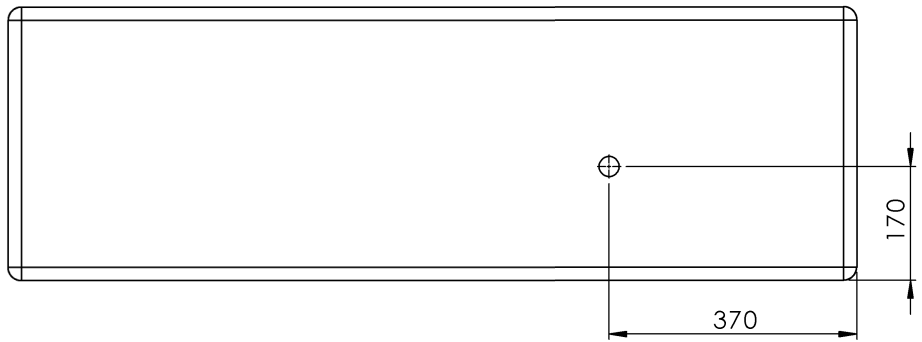


| PART NUMBER | DESCRIPTION | MATERIAL | APPLICATION | QTY. |
|------------------|------------------------------|----------|-------------|------|
| 127-41-41 | 192ltr Series A Moulded Tank | 9mm MDPE | | 1 |

TEK-TANKS USE ONLY



| APPLICATION | ✓ | FITTING SPECIFICATION | | | | |
|-------------|---|-----------------------|--------------|------|--------------------|-----|
| | | # | TYPE | SIZE | DESCRIPTION | QTY |
| DIESEL | | | EXAMPLE | 38mm | 90° Elbow Hosetail | 1 |
| OIL | | | | | | |
| FRESH WATER | | A | FILLER/INLET | | | |
| GREY WATER | | B | VENT | | | |
| WASTE | | C | FEED/OUTLET | | | |
| | | D | RETURN/INLET | | | |
| | | E | DRAIN | | | |
| | | F | SENDER | | | |
| | | G | HATCH | | | |

TEK TANKS
 Tek-Tanks LTD, The Old Stables, West End Farm,
 Upper Froyle, Alton, Hampshire, GU34 4JR
 tel: 01420 520 830 fax: 01420 520 840
 email: enquiries@tek-tanks.com web: www.tek-tanks.com

TITLE:
192ltr Series A Moulded Tank

DWG NO.
127-41-41

REVISION

DATE: 12 September 2014 DRAWN BY: RichardAB

Dimensions in 'mm' - Do Not Scale