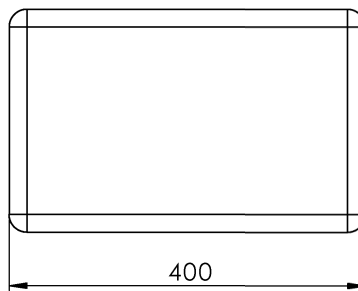
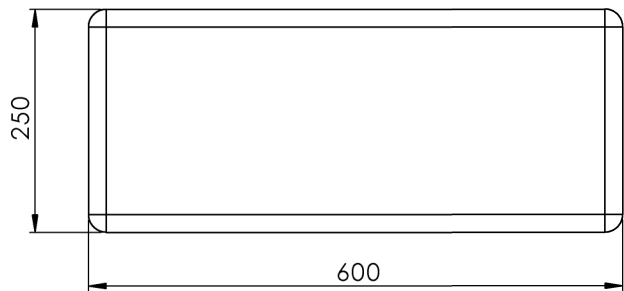
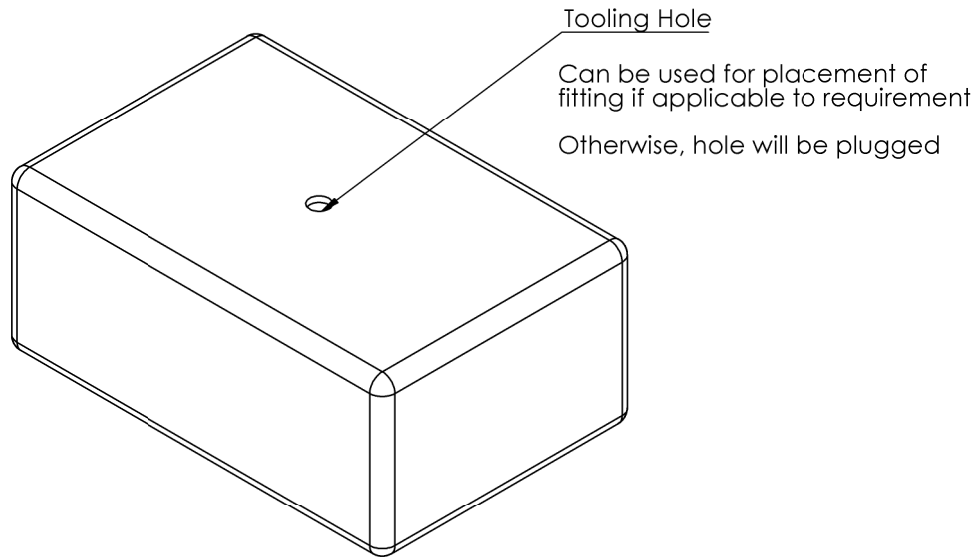
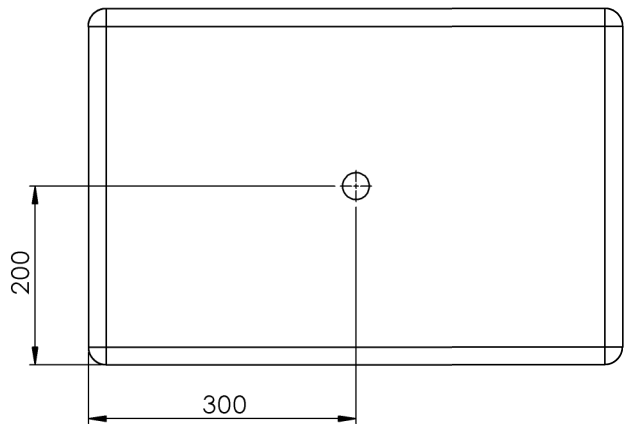


PART NUMBER	DESCRIPTION	MATERIAL	APPLICATION
60-40-25	51ltr Series A Moulded Tank	9mm MDPE	Water/Diesel/Waste

TEK-TANKS USE ONLY



APPLICATION	✓	FITTING SPECIFICATION				
		#	TYPE	SIZE	DESCRIPTION	QTY
DIESEL			EXAMPLE	38mm	90° Elbow Hosetail	1
FRESH WATER		A	FILLER/INLET			
GREY WATER		B	VENT			
WASTE		C	FEED/OUTLET			
		D	RETURN/INLET			
		E	DRAIN			
		F	SENDER			
		G	HATCH			

TEK TANKS
 Tek-Tanks LTD, The Old Stables, West End Farm,
 Upper Froyle, Alton, Hampshire, GU34 4JR
 tel: 01420 520 830 fax: 01420 520 840
 email: enquiries@tek-tanks.com web: www.tek-tanks.com

TITLE:
51ltr Series A Moulded Tank

DWG NO.
60-40-25

REVISION

DATE: 11 September 2014 DRAWN BY: RichardAB

Dimensions in 'mm' - Do Not Scale

A3