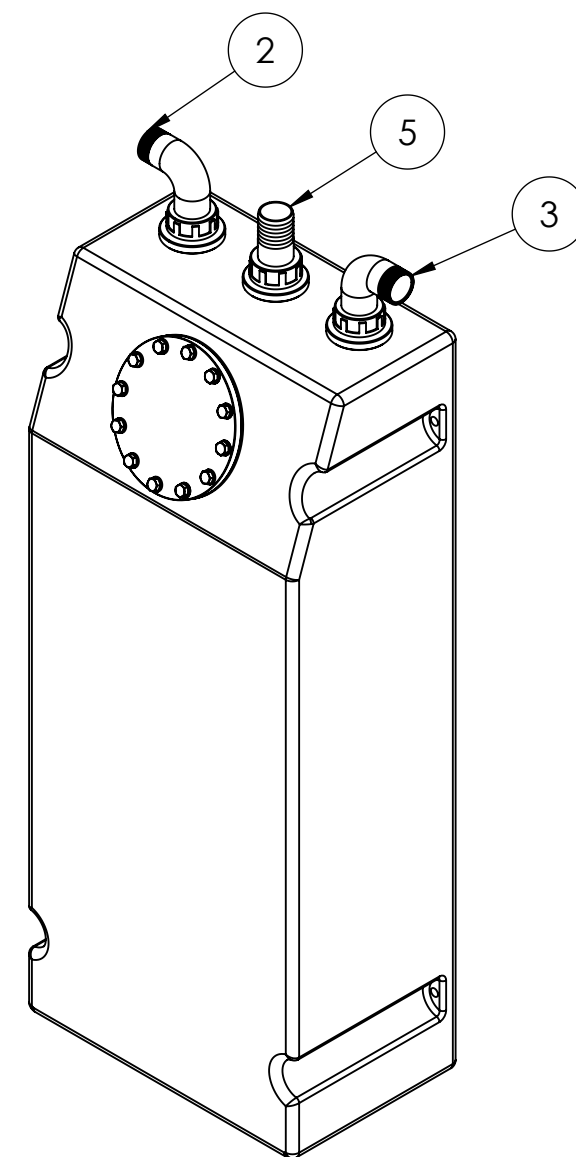
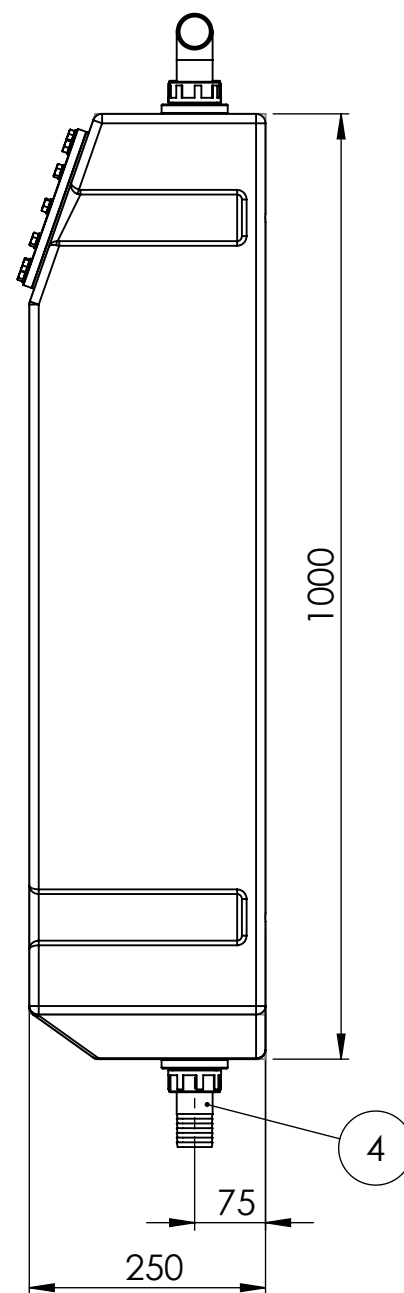
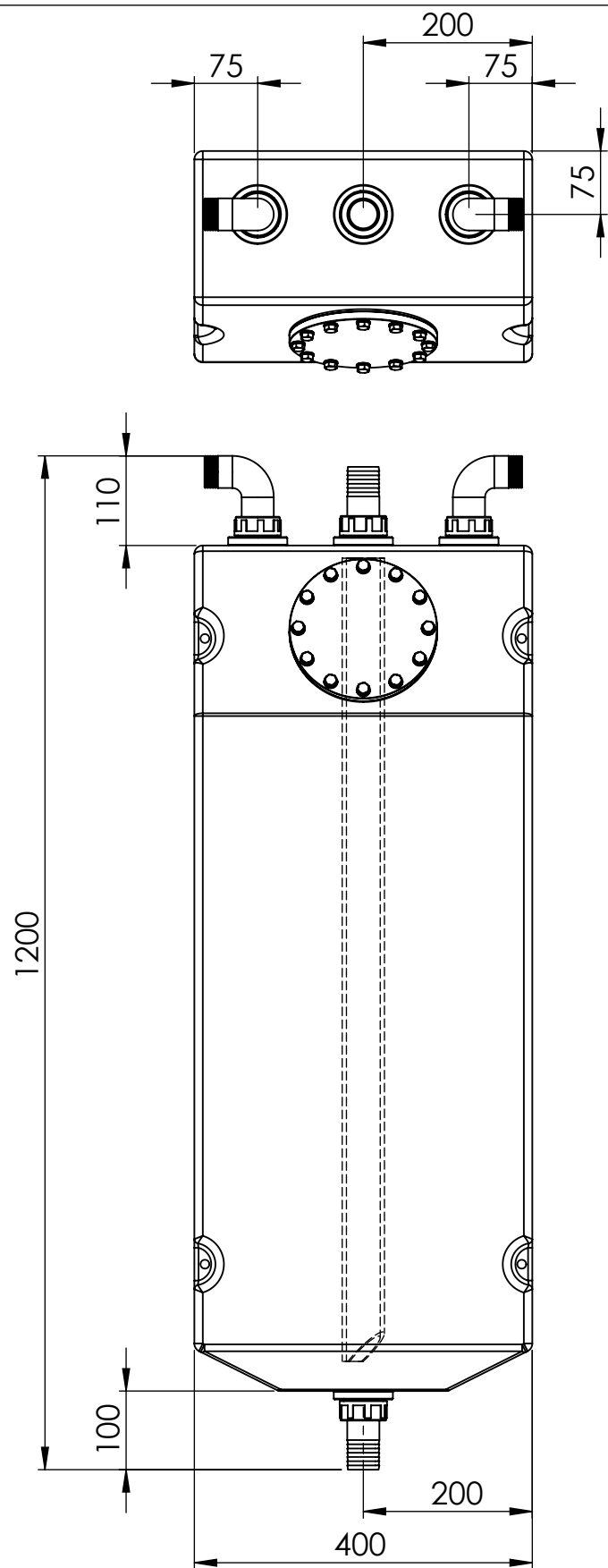


TEK-TANKS USE ONLY



ITEM NO.	PART NUMBER	DESCRIPTION	Application	QTY.
1	Vertical Tanks 80L	80ltr Vertical Waste Tank	WASTE	1
2	E38P	38mm Elbow Plastic Hosetail	INLET	1
3	E38P	38mm Elbow Plastic Hosetail	VENT	1
4	S38P	38mm Straight Plastic Hosetail	DRAIN	1
5	S38P-DP4-50	38mm Straight Plastic Hosetail & Dip-Pipe	PUMPOUT	1

TEK TANKS

Tek-Tanks LTD, The Old Stables, West End Farm,
Upper Froyle, Alton, Hampshire, GU34 4JR
tel: 01420 520 830 fax: 01420 520 840
email: enquiries@tek-tanks.com web: www.tek-tanks.com

TITLE:

80ltr Vertical Waste Tank

DWG NO.

80LITREVERTWASTE

REVISION

DATE

26 March 2014

DRAWN BY

RichardAB

Dimensions in 'mm' - Do Not Scale

A3