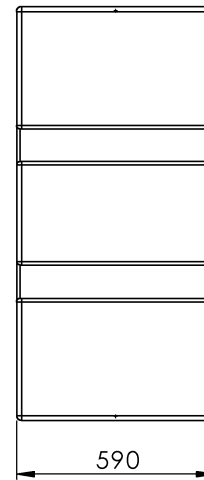
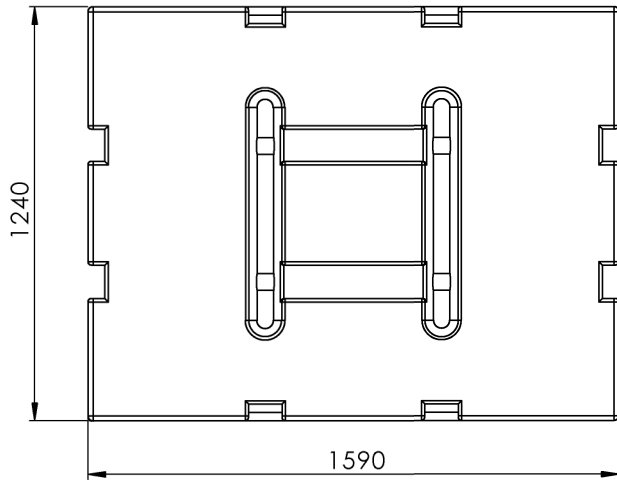
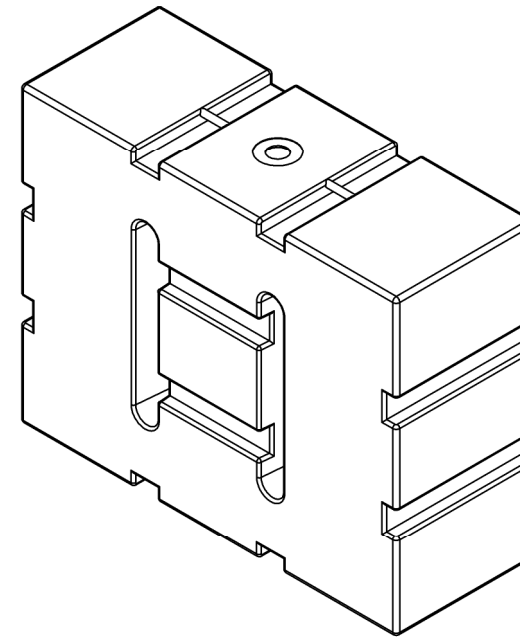
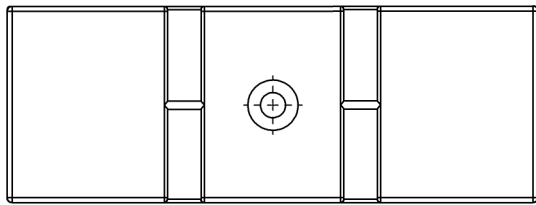


TEK-TANKS USE ONLY



APPLICATION	✓	FITTING SPECIFICATION			
		TYPE	SIZE	DESCRIPTION	QTY
DIESEL		EXAMPLE	38mm	90° Elbow Hosetail	1
OIL	#	FILLER/INLET			
FRESH WATER	A	VENT			
GREY WATER	B	FEED/OUTLET			
WASTE	C	RETURN/INLET			
	D	DRAIN			
	E	SENDER			
	F	HATCH			

**TEK TANKS**  
 Tek-Tanks LTD, The Old Stables, West End Farm,  
 Upper Froyle, Alton, Hampshire, GU34 4JR  
 tel: 01420 520 830 fax: 01420 520 840  
 email: enquiries@tek-tanks.com web: www.tek-tanks.com

TITLE:  
 1000 ltr Baffled Series A Moulded Tank

DWG NO.  
 1000LITREBLANK

REVISION

DATE: 24 August 2016 DRAWN BY: RichardAB

Dimensions in 'mm' - Do Not Scale

A3