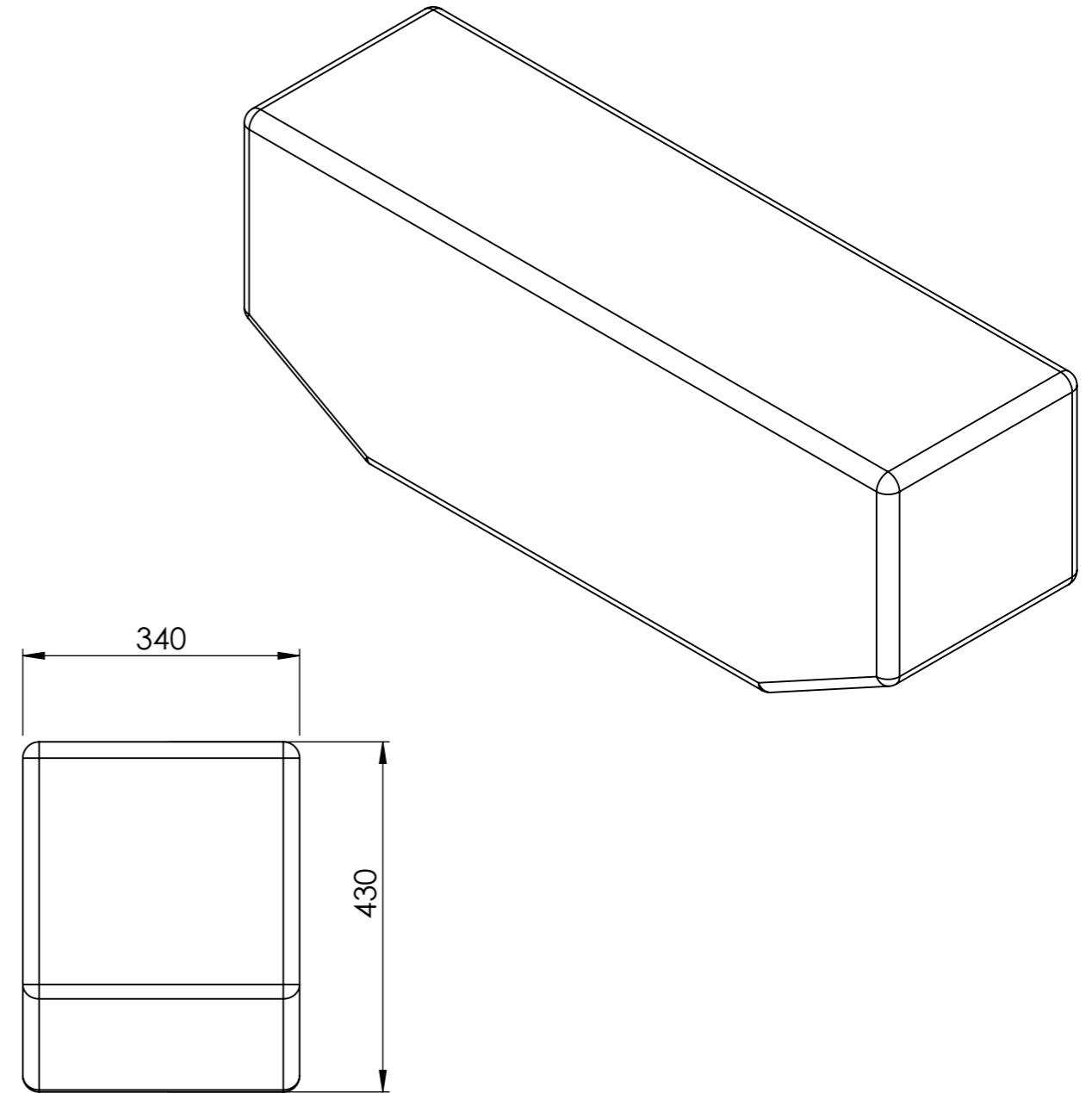
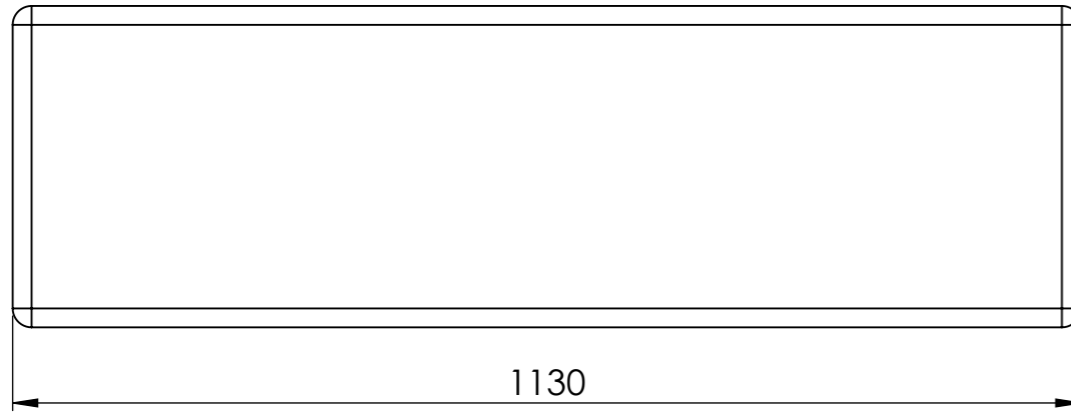


PART NUMBER	DESCRIPTION	MATERIAL	APPLICATION
113-34-43	134ltr Series A Moulded Tank	10mm MDPE	Waste/Water/Diesel

TEK-TANKS USE ONLY



APPLICATION	✓	FITTING SPECIFICATION				
		#	TYPE	SIZE	DESCRIPTION	QTY
DIESEL			EXAMPLE	38mm	90° Elbow Hosetail	1
OIL		A	FILLER/INLET			
FRESH WATER		B	VENT			
GREY WATER		C	FEED/OUTLET			
WASTE		D	RETURN/INLET			
		E	DRAIN			
		F	SENDER			
		G	HATCH			

TEK TANKS
 Tek-Tanks LTD, The Old Stables, West End Farm,
 Upper Froyle, Alton, Hampshire, GU34 4JR
 tel: 01420 520 830 fax: 01420 520 840
 email: enquiries@tek-tanks.com web: www.tek-tanks.com

TITLE:
134ltr Series A Moulded Tank

DWG NO.
113-34-43

REVISION

DATE **01/08/2018** DRAWN BY **OillyS**

Dimensions in 'mm' - Do Not Scale

A3