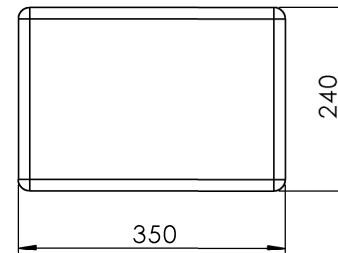
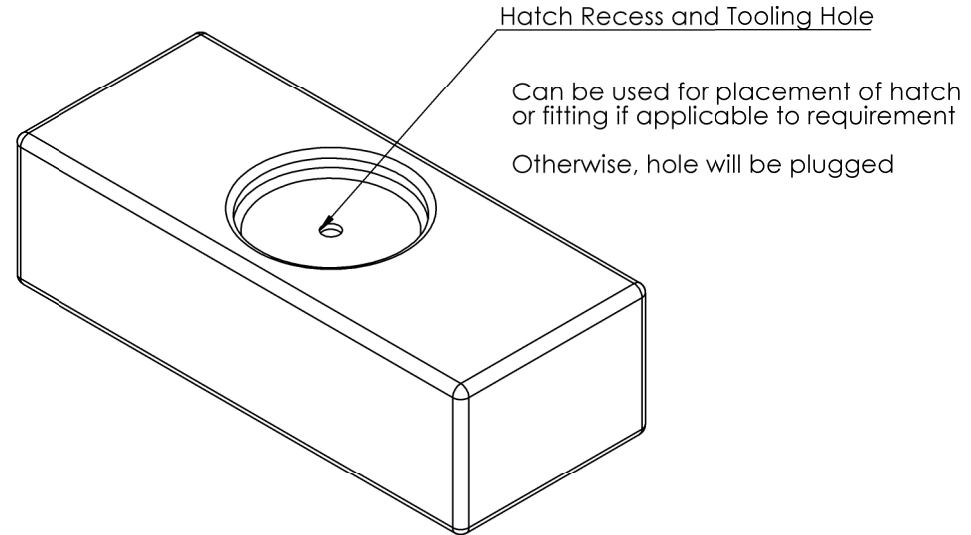
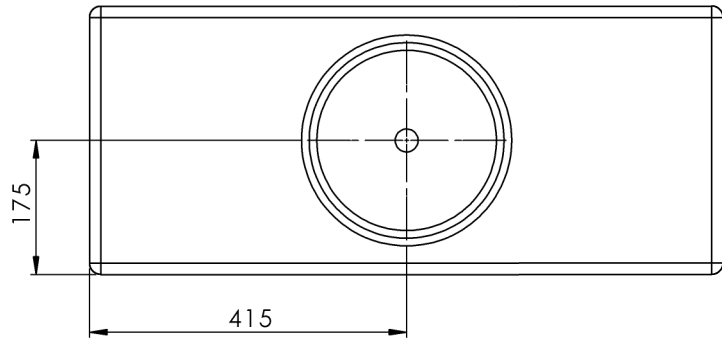


PART NUMBER	DESCRIPTION	MATERIAL	APPLICATION
83-35-24	57ltr Series A Moulded Tank	9mm MDPE	Water/Diesel/Waste

TEK-TANKS USE ONLY



APPLICATION	✓	FITTING SPECIFICATION			
		TYPE	SIZE	DESCRIPTION	QTY
DIESEL					
OIL		#	EXAMPLE	38mm 90° Elbow Hosetail	1
FRESH WATER		A	FILLER/INLET		
GREY WATER		B	VENT		
WASTE		C	FEED/OUTLET		
		D	RETURN/INLET		
		E	DRAIN		
		F	SENDER		
		G	HATCH		

TEK TANKS
 Tek-Tanks LTD, The Old Stables, West End Farm,
 Upper Froyle, Alton, Hampshire, GU34 4JR
 tel: 01420 520 830 fax: 01420 520 840
 email: enquiries@tek-tanks.com web: www.tek-tanks.com

TITLE:
57ltr Series A Moulded Tank

DWG NO.
83-35-24

REVISION

DATE: 12 September 2014 DRAWN BY: RichardAB

Dimensions in 'mm' - Do Not Scale

A3