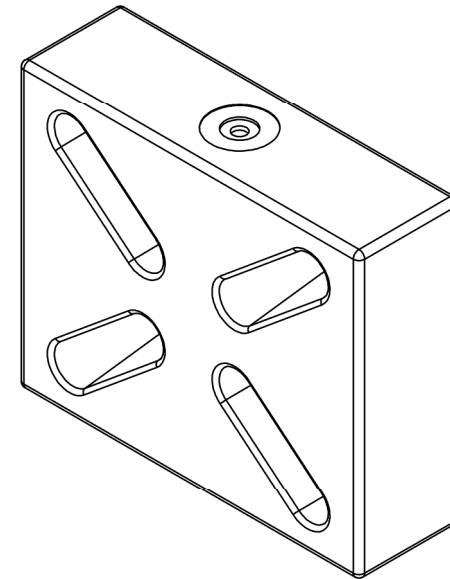
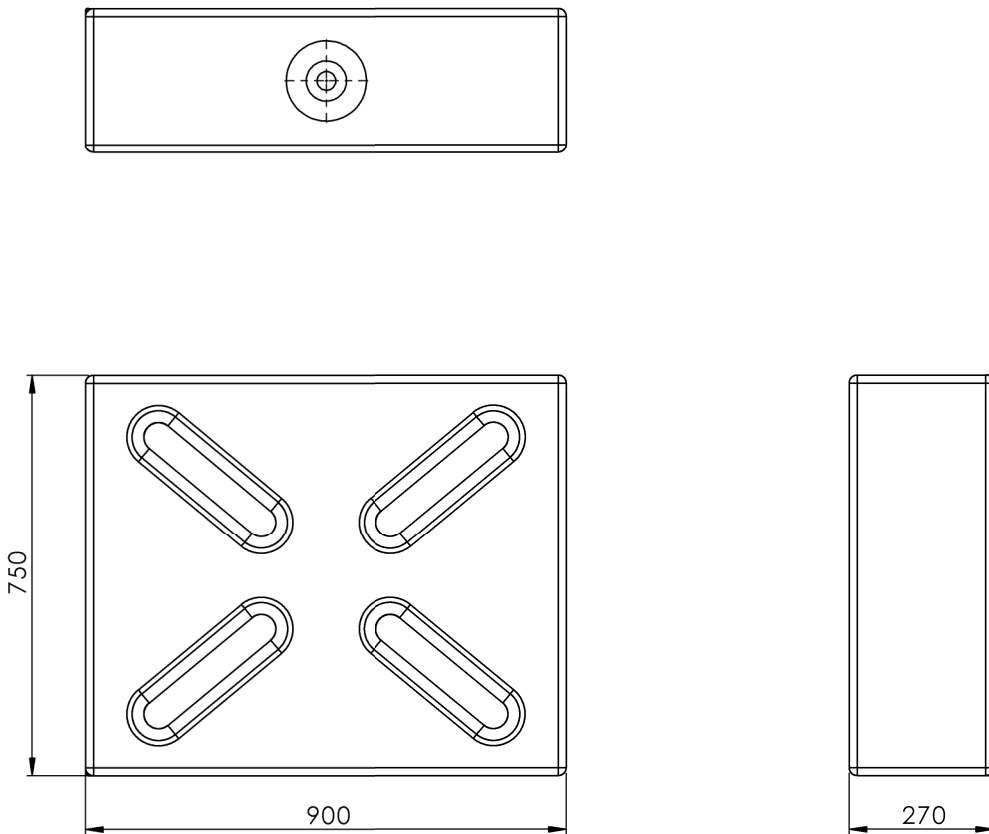


TEK-TANKS USE ONLY



APPLICATION	✓	FITTING SPECIFICATION			
		TYPE	SIZE	DESCRIPTION	QTY
DIESEL					
OIL		#	EXAMPLE	38mm 90° Elbow Hosetail	1
FRESH WATER		A	FILLER/INLET		
GREY WATER		B	VENT		
WASTE		C	FEED/OUTLET		
		D	RETURN/INLET		
		E	DRAIN		
		F	SENDER		
		G	HATCH		

**TEK TANKS**  
 Tek-Tanks LTD, The Old Stables, West End Farm,  
 Upper Froyle, Alton, Hampshire, GU34 4JR  
 tel: 01420 520 830 fax: 01420 520 840  
 email: enquiries@tek-tanks.com web: www.tek-tanks.com

TITLE:  
**150ltr Series A Moulded Tank**

DWG NO.  
**150LITREBLANK**

REVISION

DATE: 24 August 2016 DRAWN BY: RichardAB

Dimensions in 'mm' - Do Not Scale

A3