

HEADMASTER ELECTRIC MACERATOR TOILET DATA SHEET



HeadMaster electric macerator toilet is an extremely reliable, attractive and comfortable porcelain marine toilet, with all the styling of a domestic model. The straight back, contemporary design of the HeadMaster cleverly conceals all of the plumbing and macerator mechanism to give a clean and smart appearance to your on-board bathroom.

Two user controllable settings help manage your water consumption.

The "Normal" button allows you to add flushing water and evacuate the toilet bowl at the same time.

The "Dry Bowl" buttons allow you to either add more water or empty the bowl for dry bowl sailing when under way.

FEATURES:

- Powerful and quiet macerator flush
- Flat back-style ceramic fixture - fits neatly against interior walls
- Standard domestic height toilet
- Through-the-floor and through-the-wall discharge fittings
- "Normal" and "Dry Bowl" flush controls

PART NUMBERS:

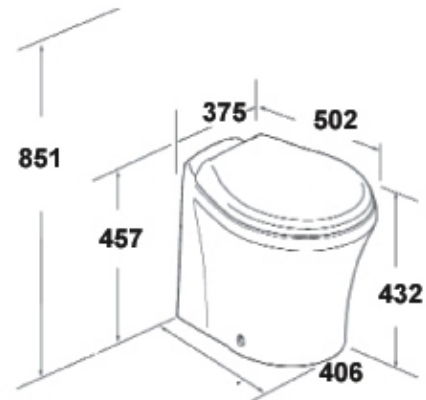
12 V - 09001-12

24 V - 09001-24

TECHNICAL SPECIFICATIONS:

Water pressure:	20-45 psi	
Water connection:	½" BSP	
Waste outlet:	1½" (38 mm)	
Max horizontal run:	30 meters	
Max vertical head:	3 meters	
Electric consumption:	12 Volt	20 Amps
	24 Volt	10 Amps
Electric circuit breaker:	12 Volt	25 Amps
	24 Volt	15 Amps

DIMENSIONS:



Weight: 26.5 kgs

Tek-Tanks Ltd

The Old Stables, West End Farm, Colthouse Lane, Upper Froyle, Alton, Hampshire, GU34 4JR

Telephone: +44 (0) 1420 525478, Fax: +44 (0)1420 520840

Website: www.tek-tanks.com E-mail: sales@tek-tanks.com