

TEK TANKS

SANI MARIN

SN 35 PUMPED ELECTRIC MACERATOR TOILET DATA



Quiet and effective. Discharge is through a conventional 1"- 11/2" hose. Exceptionally easy to install with fresh water for flushing supplied by connection into the boat's water pressure system.

Will discharge to a higher head than most other toilets.

FEATURES:

- Dual flush operation
 - 1.2 litre (Eco flush)
 - 2.2 litres (Normal flush)
- Minimal routine maintenance
- Easy to clean
- Very quiet
- 2 year guarantee

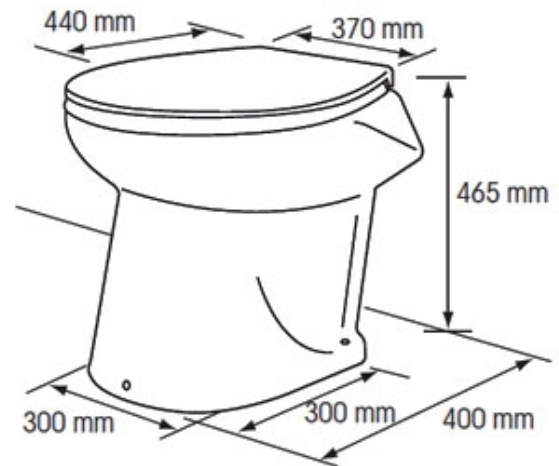
PART NUMBERS:

12 V - 02498
24 V - 02499

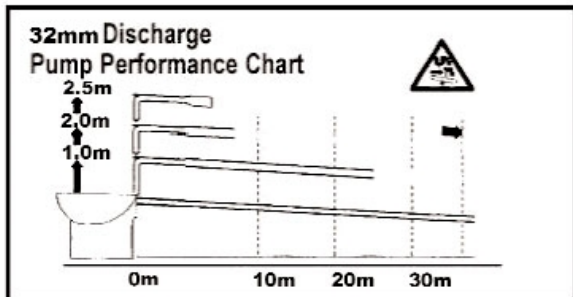
TECHNICAL SPECIFICATIONS:

Water consumption:	1.2 litre -2.2 litres
Water pressure:	20-45 psi
Water connection:	3/4" BSP
Waste outlet:	1" or 11/2" 25 or 38 mm
Electric consumption:	12 Volt 20 Amps 24 Volt 10 Amps
Start-up surge:	12 Volt 133 Amps 24 Volt 69 Amps 12 Volt Motor 260 Watts 24 Volt Motor 260 Watts

DIMENSIONS:



Weight: 20 kgs



Tek-Tanks Ltd

The Old Stables, West End Farm, Colthouse Lane, Upper Froyle, Alton, Hampshire, GU34 4JR
Telephone: +44 (0) 1420 525478, Fax: +44 (0)1420 520840
Website: www.tek-tanks.com E-mail: sales@tek-tanks.com