

## Sealand Vacuflush 5000

Compact Design with Powerful Low-Flush Efficiency

SeaLand 5000 series VacuFlush toilets deliver many value-added benefits of a vacuum toilet system in a wide range of boat installations.

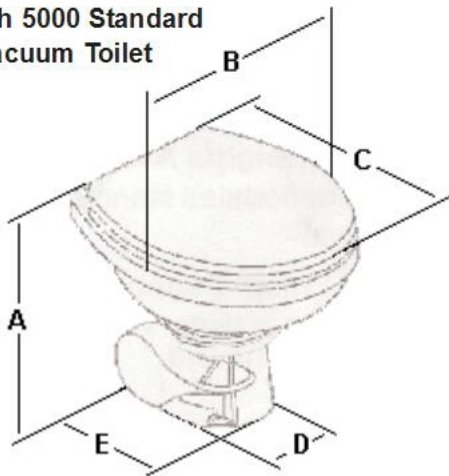
The clean, odor-free performance of VacuFlush 5000 series toilets is the result of freshwater flushing, instantaneous evacuation of bowl contents, and thorough rinsing action.

### FEATURES:

- Powerful vacuum flush.
- Ultra low-flush water consumption — only 1 pint (0.5 liter) per flush.
- Foot pedal activation.
- Small footprint fits in almost any head compartment.
- Full-size, residential-style wood seat.
- Deep, household-size bowl.
- Three heights available: Standard, medium, and low-profile.
- Through-the-floor or through-the-wall discharge options.
- 12V or 24V DC operation (connects to VacuFlush vacuum generator or holding tank system).



Vacuflush 5000 Standard Vacuum Toilet



Vacuflush 5000 Vacuum Toilet Dims

A	17 3/8"	441mm
B	14 7/8"	378mm
C	18 3/8"	467mm
D	8 7/8"	220mm
E	13 1/4"	337mm

Discharge Options:	Through-the-floor, Above-the-floor
Vacuum Source Amp Draw:	6A @ 12V DC, 3A @ 24V DC
Vacuum Source Circuit Breaker/Fuse:	10A @ 12V DC, 5A @ 24V DC
Min. Water Flow Rate (gpm/lpm):	2.0/7.6
Discharge Hose/PVC Pipe ID (in/mm):	1.5/38
Max. Discharge Horizontal Run (ft/m):	50.0/15.0
Max. Discharge Vertical Run (ft/m):	6.0/1.8
Flush Activation:	Foot Pedal

### TEK TANKS

The Old Stables, West End Farm, Upper Froyle, Alton, Hampshire GU34 4JR, England  
 Tel: +44 (0)1420 520830 fax: +44 (0)1420 520840 email: sales@tek-tanks.com  
[www.tek-tanks.com](http://www.tek-tanks.com)

**TEK TANKS**  
 Water Waste and Fuel