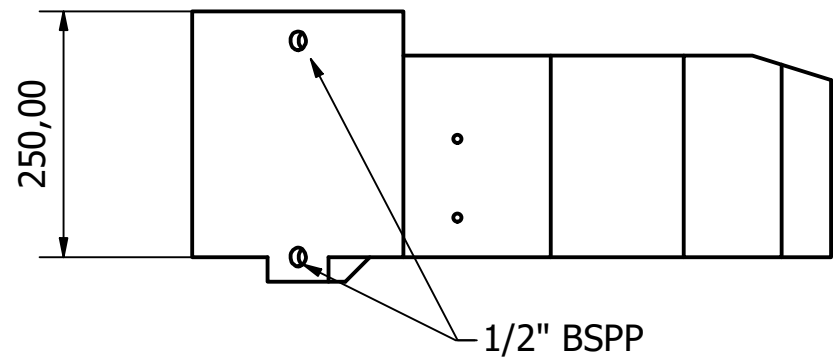
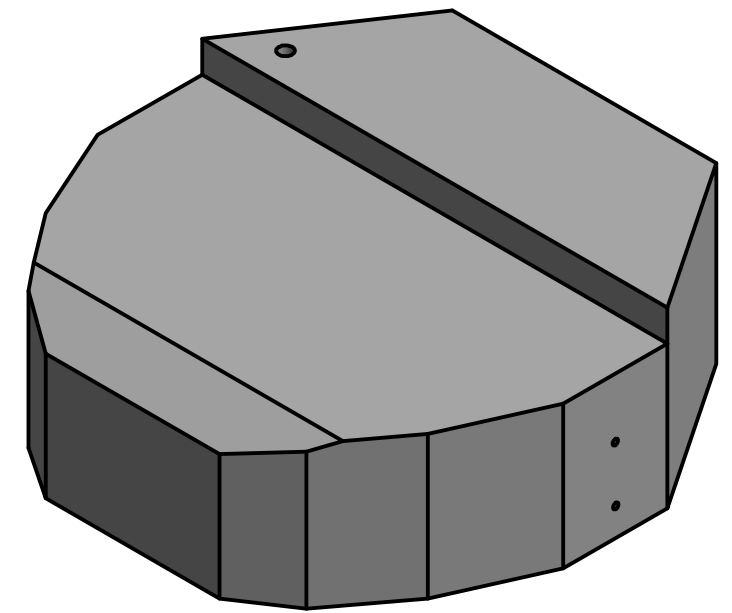
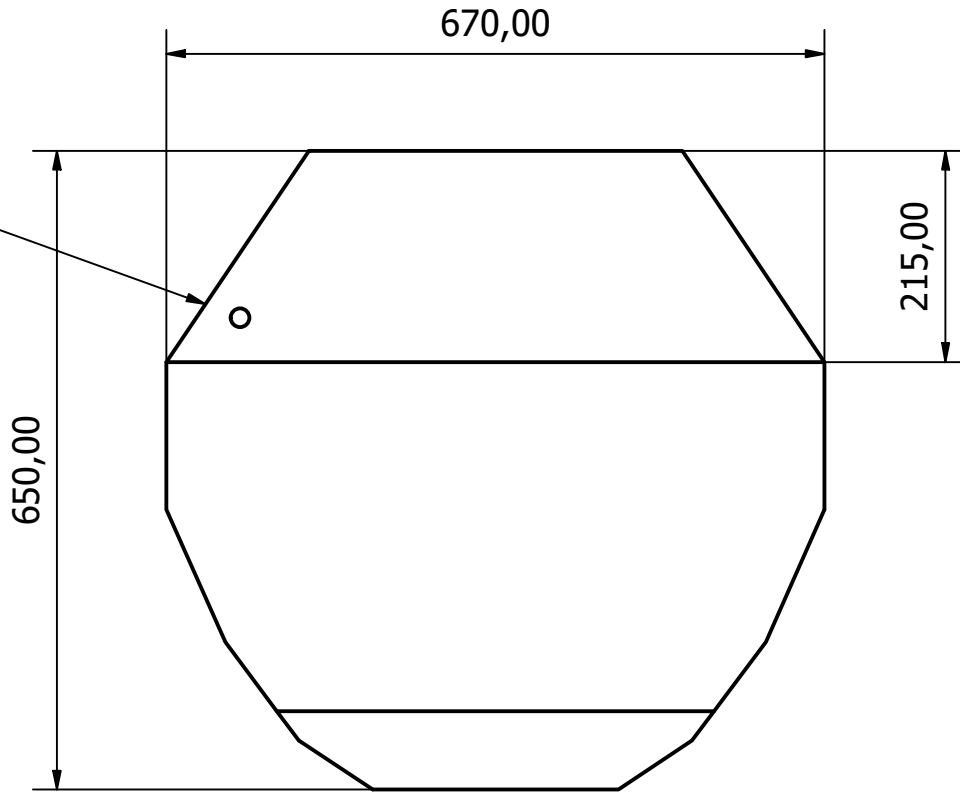


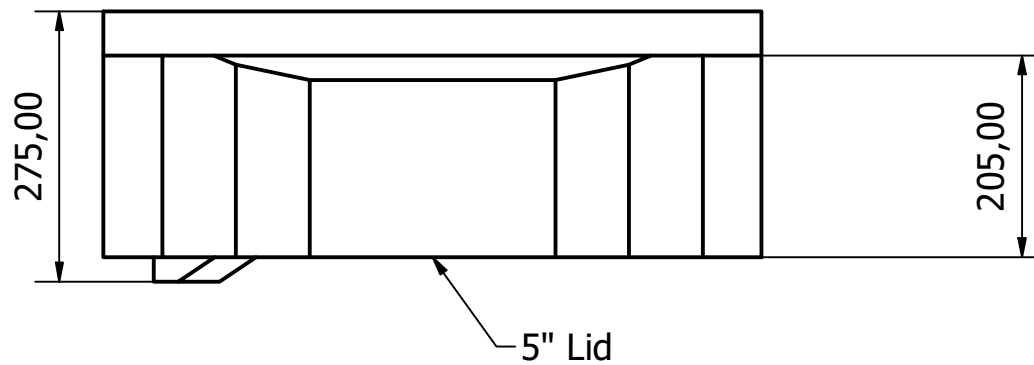
DO NOT SCALE UNLESS STATED - IF IN DOUBT ASK

|           |  |
|-----------|--|
| Material  |  |
| Qty Req'd |  |

1/2" BSPP



1/2" BSPP



5" Lid

|                 |   |                       |             |
|-----------------|---|-----------------------|-------------|
| <b>TEKTANKS</b> | CUSTOMER:   |                       |             |
|                 | PROJECT: 68 Litre VW Transporter Spare Wheel Tank |                       |             |
|                 | DRAWN DATE:<br>21/10/2021                         | DESIGNED BY:<br>joshv | CHECKED BY: |
|                 | SHEET 1 OF 1                                      | REV<br>A              | DRAWING NO: |

| REV | ZONE | DESCRIPTION | DATE |
|-----|------|-------------|------|
|     |      |             |      |

